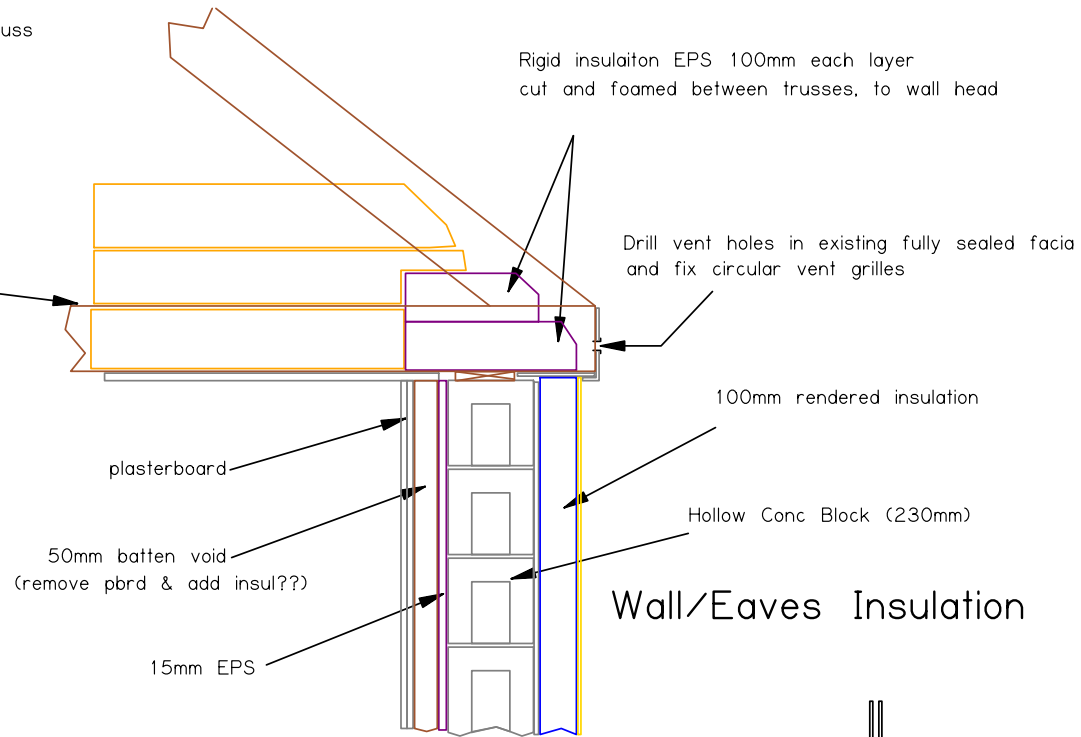
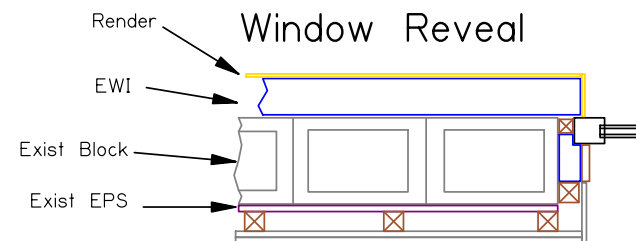
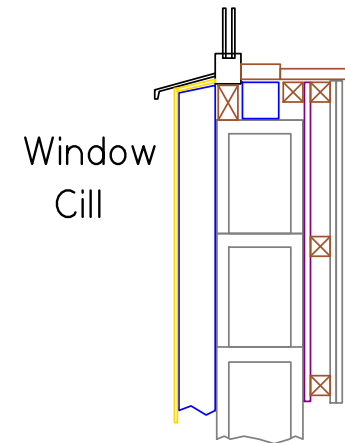
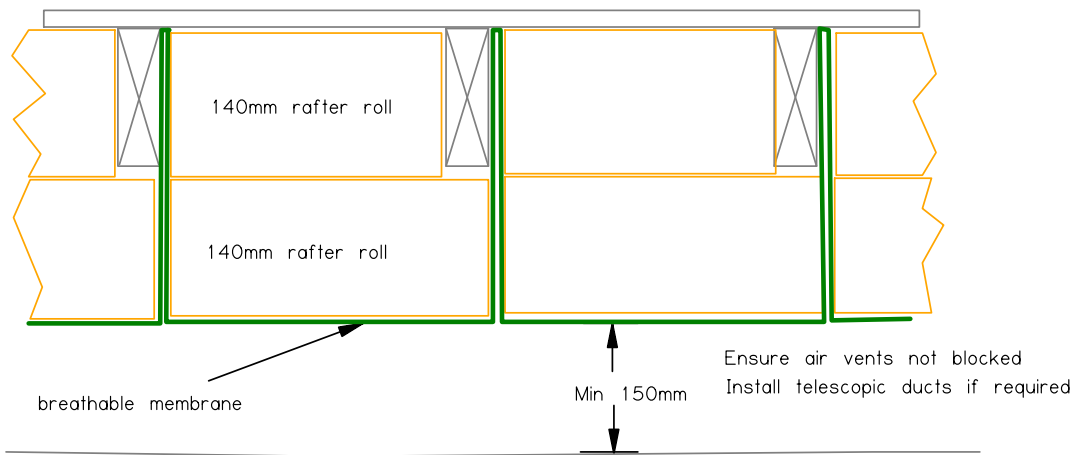


Ceiling Insulation & Deck



Floor Insulation



Symbols:

Notes:-

- P4 - window frame updated
- P3 - updated wall detail
- P2 - window detail added
- P1 - Original

Client

House Remodel

Project

Insulation Details Proposed
(Not to scale)

1059/70

Drawing Number

P4

Revision