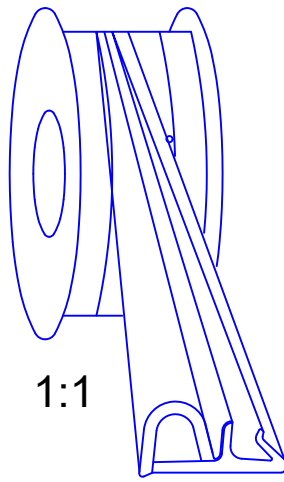
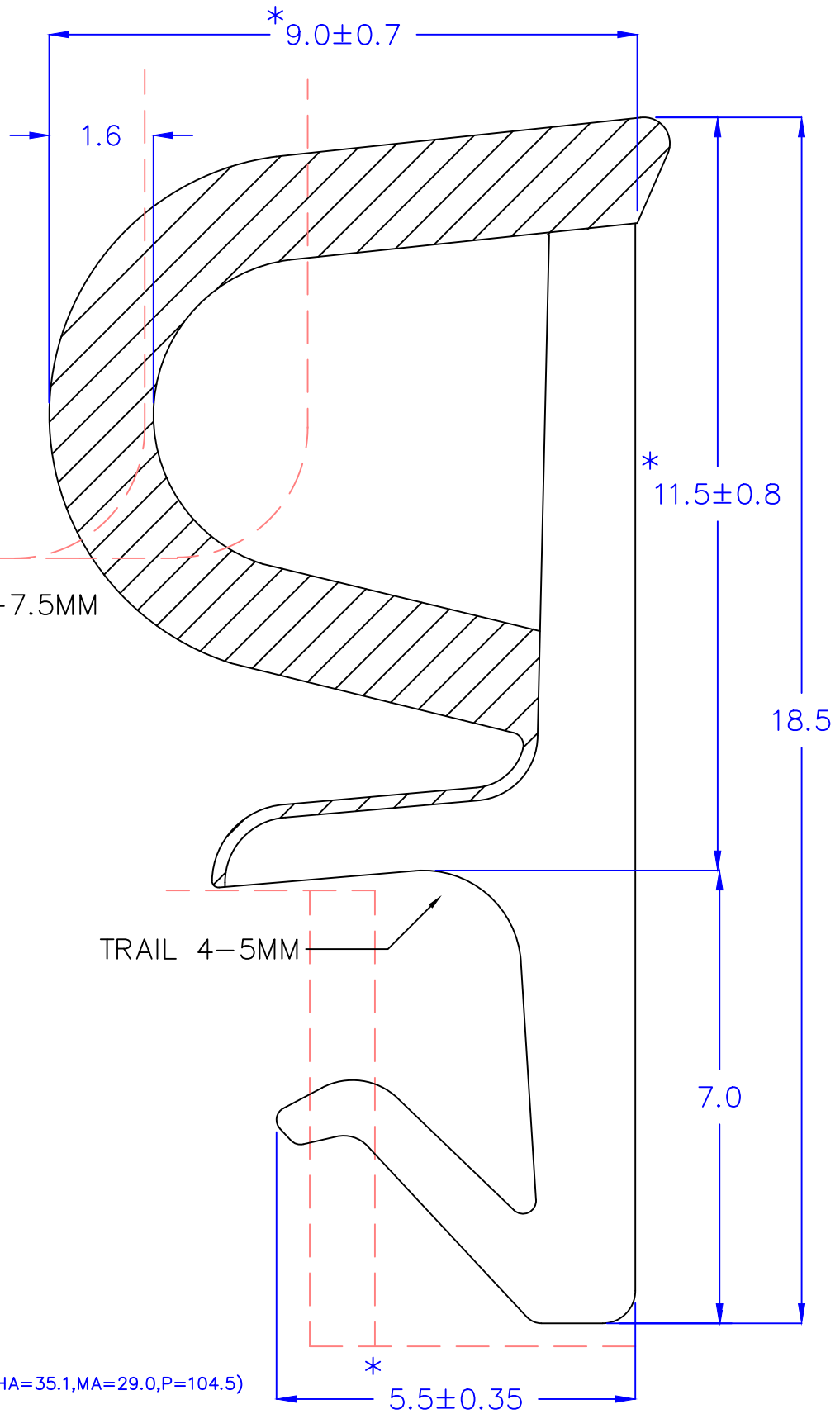


A	95011	MEASUREMENT 9.0 WAS 8.0 MM / AH
B		
C		
D		
E		

ROLLING OFF



1:1



* =Control dimensions

The following applies for tolerances not presented in this drawing. Solid rubber=ISO3302-1:1996, Class E2 Cellular rubber =SS 243705, Class 2

This drawing is the property of Trelleborg Sealing Profiles and is to be returned at our request. It can not be copied, shown or given to a third party without our written consent. Infringement will be prosecuted according to the law.



Trelleborg Sealing Profiles Box 1004 S-331 29 Värnamo Sweden Tel: +46 (0)370 481 00	Material 1: EPDM 80 Shore/Cellular Grey	Area 1: -	Skala: 10:1
	Material 2: -	Area 2: -	Datum: 940422
	Material 3: -	Area 3: -	Ritad av: <i>TJ</i>
Kund: TSP STANDARD		Detailnummer: 70090520	
Benämning: FRAME-BOW SEAL 12 mm		Ritningsnummer: O-4482A	